

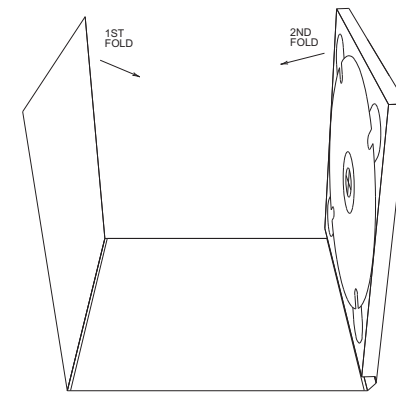
DIGIPAK - 6 PANEL 1 RIGHT TRAY
 A1033.01
 FLAT: 16.693" x 9.882"
 FINISHED: 5.492" x 4.941" x 0.256"
 06/11/02

- 1/8" BLEED ZONE
- 1/16" SAFETY ZONE
- PRINT ZONES

It is important that the artwork template you are using is the current version. The version level can be found as part of the artwork number below the template name located in the upper left corner of the artwork template.

To verify the current version level, refer to the Sony DADC Graphics Website Templates section. This can be found at graphics.sdm.sony.com. Once you have logged into the website, visit the templates section and verify that the template you have is the current version.

If you find a discrepancy, please download the current version.



FOLDING SEQUENCE FOR AUTOLOAD

